

**AMP** AMP Connect

MAIN MENU HELP  
FAMILIES REGISTRATION

Alphabetical Picture Part Number  
**SEARCH SEARCH SEARCH**

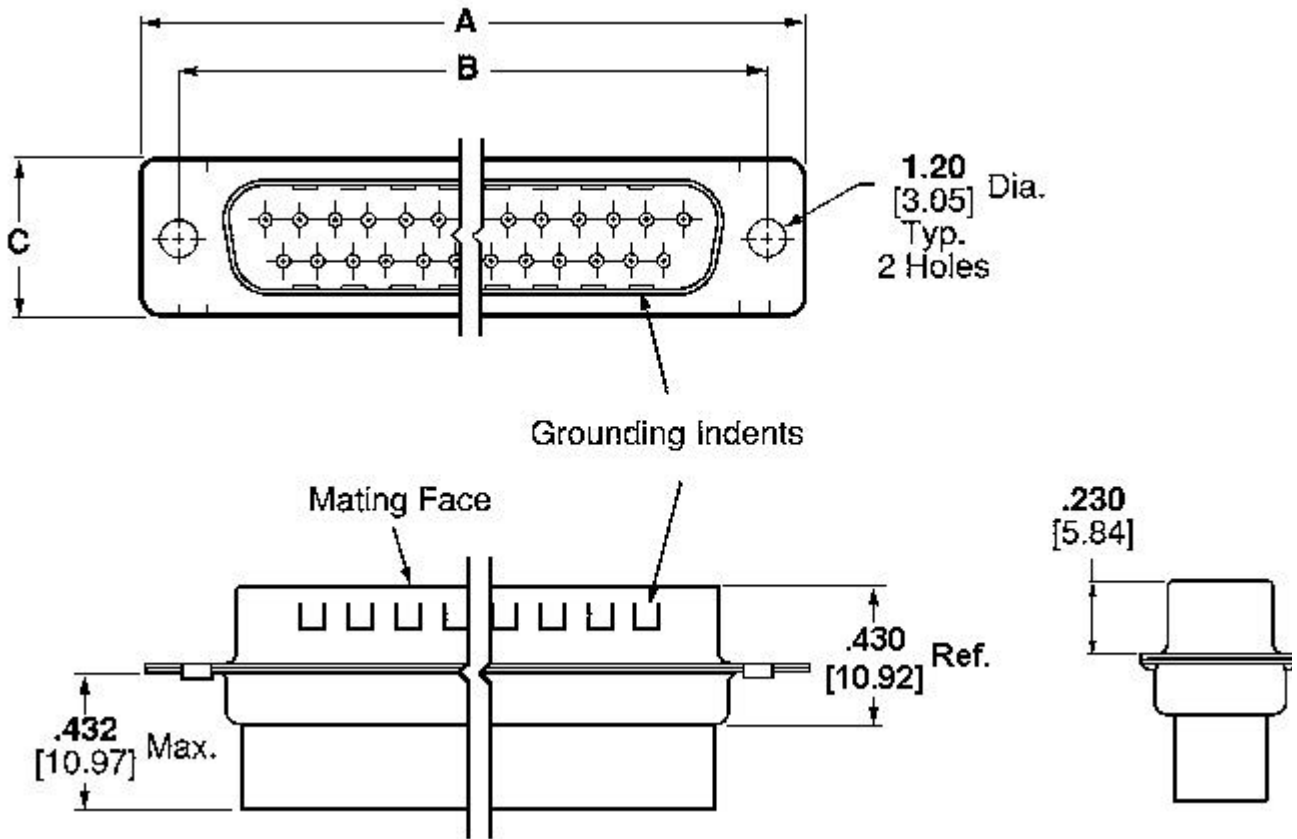
Go To Step Search™ Screen

**205204-4** -- 1 of 1 products

**AMPLIMITE Subminiature D Connectors**  
**AMPLIMITE Subminiature D Cable Connectors**

- General **INFO**
- Sales **INFO**
- Customer Drawings **SPECIFICATIONS**

Please use Customer Drawing or CAD file for design activity; line art and other pictures are general representations of product dimensions.



Line art represents typical product only.

<b><i>Searchable Features:</i></b>	
<b>Product Type</b>	Connector
<b># of Positions</b>	9
<b>Sex</b>	Plug
<b>Wire Termination Type</b>	Crimp Snap
<b>Mating Connector Lock</b>	With
<b>Mating Connector Lock Type</b>	Mounting Holes
<b>Shell Size</b>	1
<b>Shell Type</b>	Front Metal Shell
<b>Contact Size</b>	20
<b>Grounding Indents</b>	With
<b>Product Series</b>	HDP-20
<b>Grade</b>	Standard
<b><i>Other Properties:</i></b>	
<b>Dim. A</b>	1.213 [30.81] in. [mm]
<b>Dim. B</b>	.984 [24.99] in. [mm]
<b>Dim. C</b>	.494 [12.55] in. [mm]
<b>Color</b>	Black
<b>Shell Material</b>	Steel
<b>Shell Plating</b>	Tin
<b>Insert Material</b>	Thermoplastic
<b>Insert Flammability Rating</b>	UL 94V-0
<b>Comment</b>	Plugs accept size 20 DF pin contacts.

---

[ [Main Menu](#) | [Help](#) | [Family Search](#) | [Registration](#) | [Feedback](#) ]  
[Top of Page](#)